

US PRODUCT SHEET

# VERSAILLES OVALE DOUBLE



Non contractual picture/ Photographie non contractuelle.

AAE VERSAILLES OVALE DOUBLE US FP



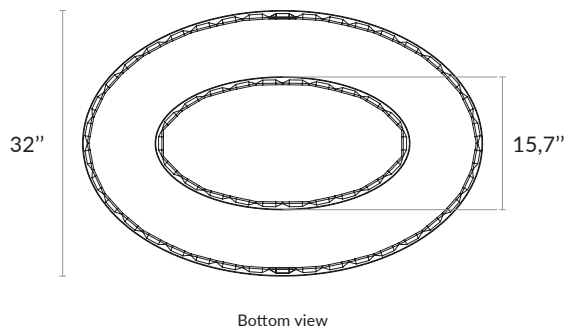
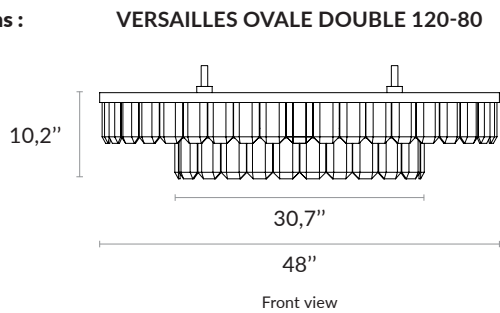
Alain Ellouz  
.paris

<b>Type</b>	Chandelier Equipped with UL listed components
<b>Environment</b>	Indoor
<b>Material</b>	Crystals 5,9" x 4" and steel
<b>Suspension system</b>	Ceiling plate or false ceiling system and metal rod Ø 1" Overall drop : min h. 18,3"- max h. 89,1"
<b>Lighting system</b>	LED Strip 2,9W/ft (2700K or 3000K) - Dimmable intensity Remote transformer (concealed option upon request)
<b>Voltage</b>	24 V : transformer provided
<b>Wattage / Lumens</b>	VERSAILLES OVALE DOUBLE 120-80 : 50 W / 1765 lm VERSAILLES OVALE 150-110 : 70 W / 2290 lm

## References

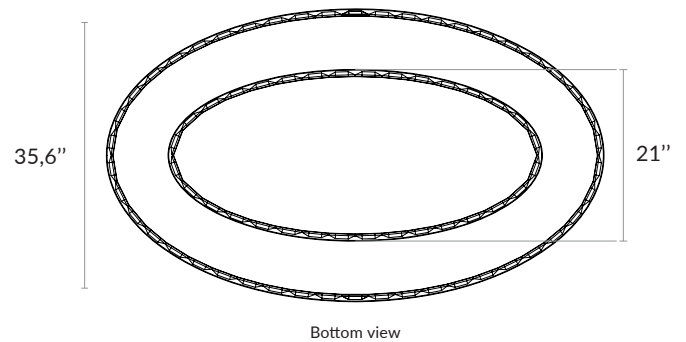
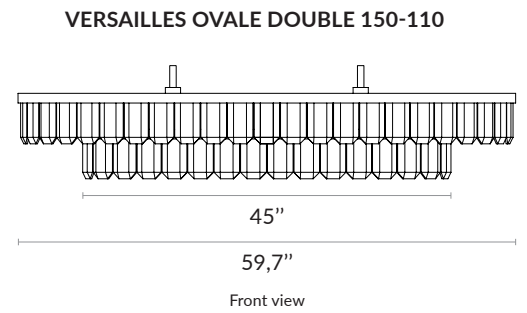
	VERSAILLES OVALE DOUBLE 120-80	VERSAILLES OVALE DOUBLE 150-110
Polished gold	COL-0475	COL-0481
Antique brass	COL-0477	COL-0483
Polished stainless steel	COL-0479	COL-0485

## Dimensions :



## Weight :

187.4 lb / 85 Kg



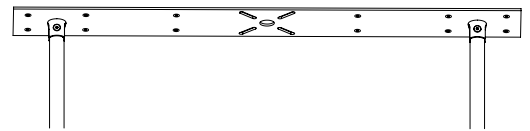
286.6 lb / 130 Kg

2 years warranty. General terms and conditions of sales.

## FIXING SYSTEMS AND FINISHES

- **HIDDEN INDIVIDUAL FIXING**

System adapted to false ceilings for an aspect without a visible fixation (the rod comes out directly from the ceiling). The hole in the false ceiling can be finished with an eyelet .



- **VERSAILLES OVALE CANOPY**

Individual ceiling fixing.

29,5"L x 5,5"W x 1,26"H



- **RODS AND CANOPY FINISHES**

**Metal plating finish :**



Antique brass  
ref : dcl-005



Golden polish  
ref : dcl-010

**Metal finish :**



Polished stainless steel  
ref : dcl-003